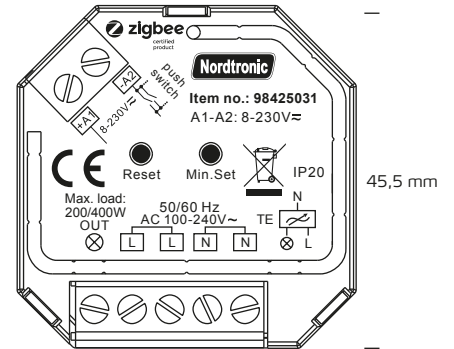
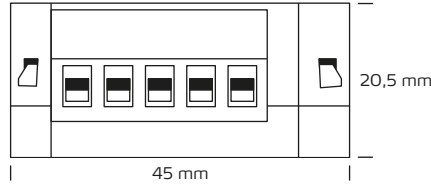
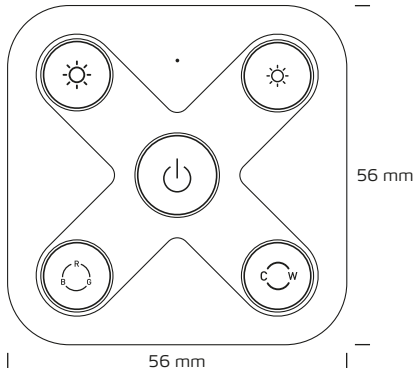


## Switch Dimmer Zigbee



### Quick start guide

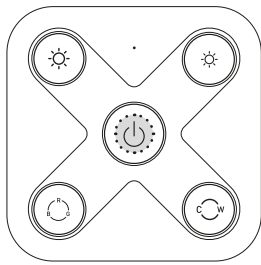
Setup/pairing of Wireless switch Zigbee with Box Dimmer Zigbee or Box Relay Zigbee.

1. Factory Reset all components.

#### Wireless Switch Zigbee

Step 1: Press and hold down the **On/Off button** until the LED indicator turns on.

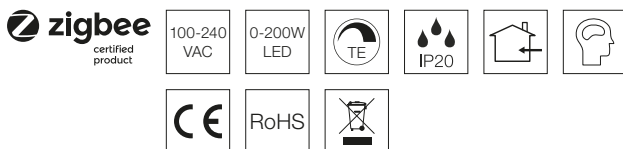
Step 2: Immediately short press the **On/Off button** 5 times continuously. The LED indicator flashes 3 times quickly to indicate successful reset.



#### Wireless Switch Zigbee, item no. 98426061



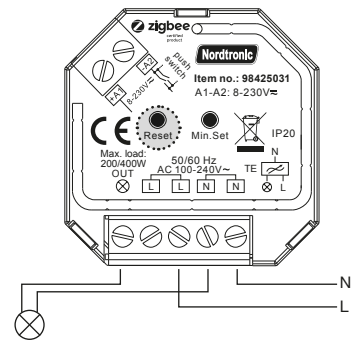
#### Box Dimmer Zigbee, item no. 98425031



#### Box Dimmer Zigbee / Box Relay Zigbee

Step 1: Short press **Reset** for 5 times continuously.  
If the Box product is not accessible repower the device for 5 times continuously.

Step 2: The light connected to the Box product will blink 3 times to indicate successful reset.



#### Box Relay Zigbee, item no. 98423051

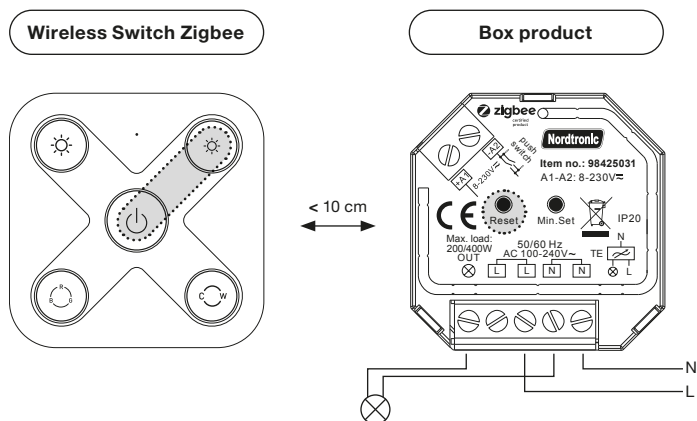


## Switch Dimmer Zigbee

- Put the Box product into pairing mode by 4 short presses on Reset. The connected light will flash 2 times to show the pairing mode is started. It will search for 180S before time out.
- Bring Wireless Switch Zigbee within 10 cm of the Box product.
- Pair Wireless Switch Zigbee to Box product via touch link. Press and hold down the **On/Off button** until the LED indicator turns on, then immediately short press the **dim down button** to start Touch link commissioning of Wireless Switch Zigbee. LED indicator flashes fast for 3S, then flashes 6 times slowly to indicate successful pairing to the device and the light connected to the Box product will blink twice.

To add multiple Wireless Switch Zigbee units, continue to step 5.

### Touch link



- Make sure the Box product is still in pairing mode, if not redo step 2 before continuing to step 6.
- Add Wireless Switch Zigbee to the Box product's Zigbee network. Press and hold down the **On/Off button** on the Wireless Switch Zigbee until LED indicator turns on, then immediately short press **dim Up button** to start the Zigbee network pairing mode. The LED indicator flashes fast for 3S, then flashes 6 times slowly to indicate successful pairing to the Zigbee network.
- Bring Wireless switch Zigbee within 10 cm of the Box product.
- Pair Wireless switch Zigbee to Box product via Touch link. Press and hold down the **On/Off button** until the LED indicator turns on, then immediately short press **dim down button** to start touch link commissioning of Wireless switch Zigbee. The LED indicator flashes fast for 3S, then flashes 6 times slowly to indicate successful pairing to the device and the light connected to the Box product will blink twice.

### Pairing to Zigbee network

