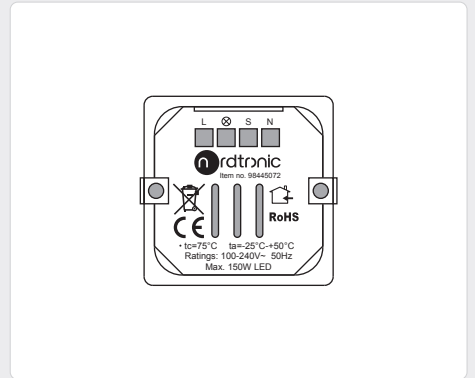
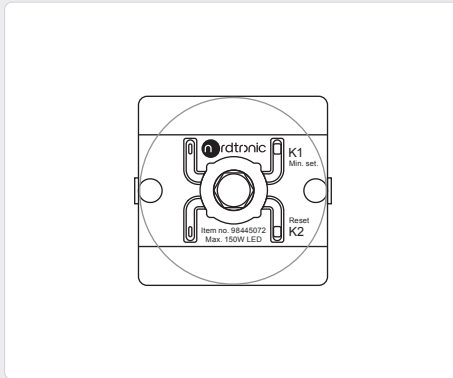
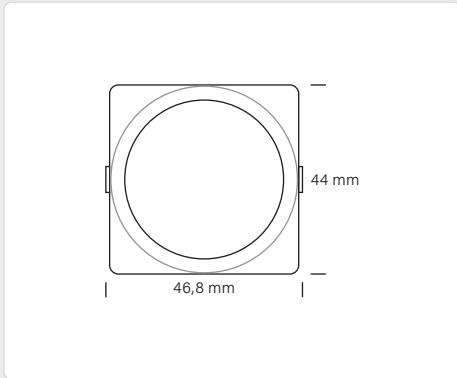
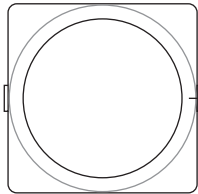


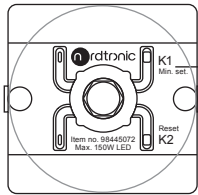
# Rotary Dimmer Triac



## Function introduction

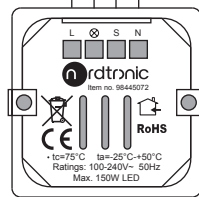


Rotary knob, short press to turn on/off, rotate clockwise to increase brightness, rotate counterclockwise to decrease brightness



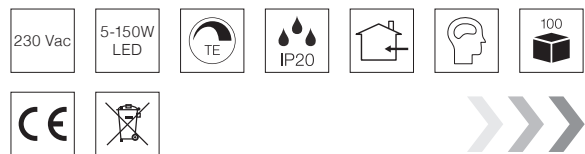
**K1 / Min. set:** for minimum brightness and startup brightness setting

1ch dim output  
Main input 230VAC  
Push switch input 230VAC  
Neutral input

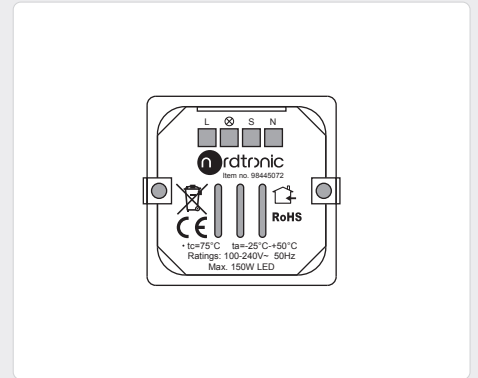
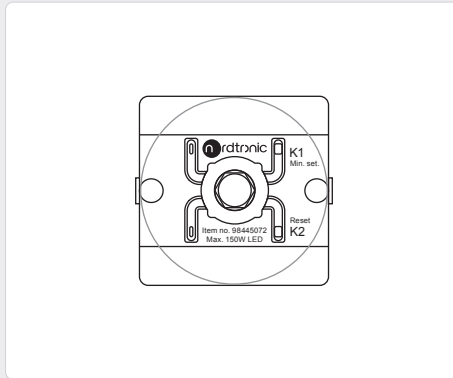
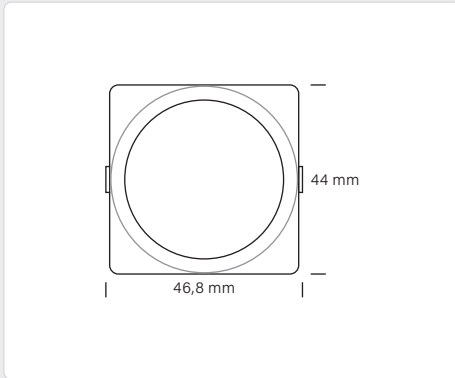


Input voltage	Output voltage	Output Current
230VAC	230VAC	max. 1.1A

Load symbol	Load type	Maximum load	Remarks
	Dimmable LED lamps	150W @ 230V	Due to variety of LED lamp designs, maximum number of LED lamps is further dependent on power factor result when connected to dimmer
	Dimmable LED drivers	150W @ 230V	Maximum permitted number of drivers is 150W divided by connected load
	Low voltage halogen lighting with electronic transformers	150W @ 230V	



Find the updated manual on our website – [nordtronic.com](http://nordtronic.com)  
With reservation for typing errors



## Main Features

- 230VAC input and output voltage
- Enables to set minimum brightness and startup brightness
- 1 channel output, up to 150W
- Enables to control ON / OFF and light intensity of connected light source
- With push switch input, can be controlled by universal AC push switches
- Advanced microprocessor control
- Soft start function
- Innovative minimum dimming level and startup brightness setting functions
- Factory default version is trailing edge

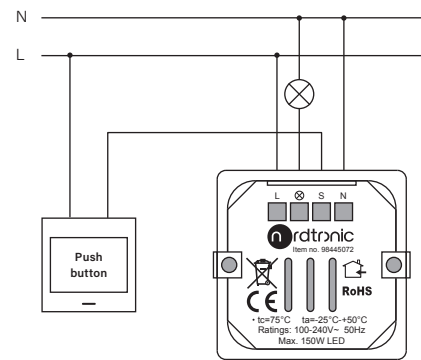
**DO NOT install with power applied to device.**  
**DO NOT expose the device to moisture.**

## Installation

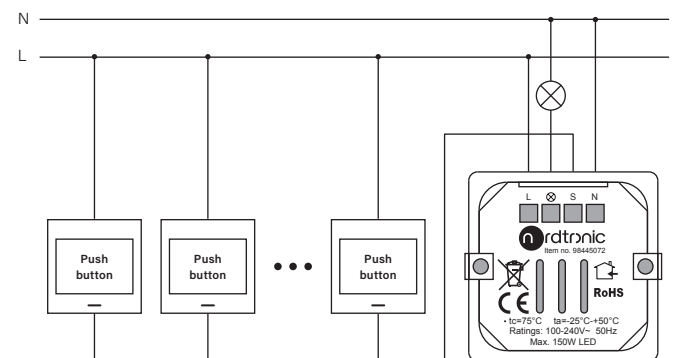
### 1. Do wiring according to connection diagram correctly

#### 2. Wire Connection With Neutral Lead

Single push switch wiring



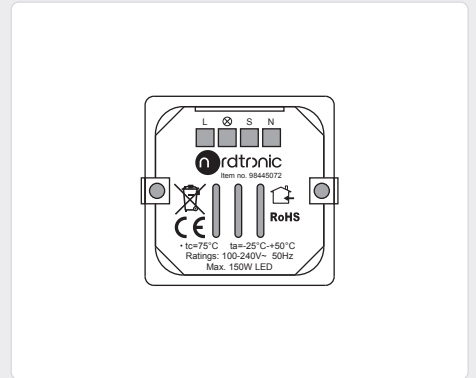
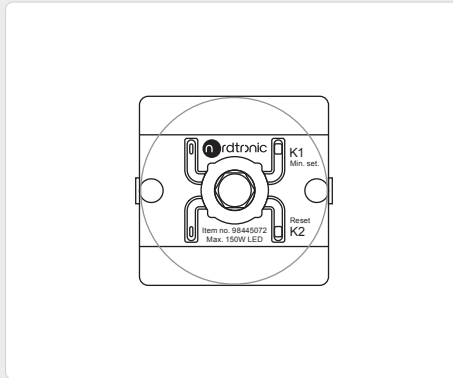
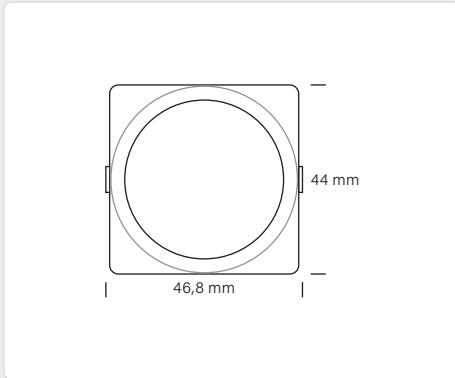
Multiple push switches wiring for multiple control points



Find the updated manual on our website – [nordtronic.com](http://nordtronic.com)  
 With reservation for typing errors

Nordtronic A/S | Flade Engvej 4 | DK-9900 Frederikshavn | Denmark | CVR: 29808708  
 Tel: +45 7020 9531 | [nordtronic.com](http://nordtronic.com)

Manual  
 98445072 | 09-2024

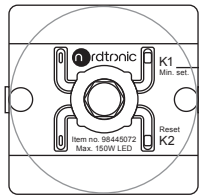


### 3. Minimum Brightness Setting

#### Set Minimum Brightness



**Step 1:** Adjust the brightness of connected load to a desired level between 1%-50%.

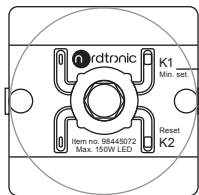


**Step 2:** Press and hold down *K1 / Min. set* for 3 seconds until connected load blinks to set the brightness adjusted in step 1 as minimum brightness, then the load can not be dimmed below this level.

#### Delete Minimum Brightness



**Step 1:** Adjust the brightness of connected load to 100%.



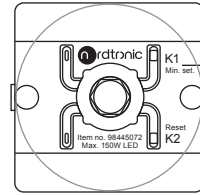
**Step 2:** Press and hold down *K1 / Min. set* for 3 seconds until connected load blinks to delete the previously set minimum brightness.

### 4. Startup Brightness Setting

#### Set Startup Brightness



**Step 1:** adjust the brightness of connected load to a desired level between 1%-50%.



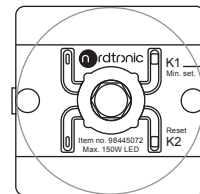
**Step 2:** Double click *K1 / Min. set* to set the brightness adjusted in step 1 as startup brightness, then the load will first go to startup brightness when turned on every time, then drop down to the brightness before last time turned off.

**Note:** startup brightness setting function is to avoid the phenomenon that some dimmable LED drivers can not be turned on after turned off at a very low brightness level. Once setting a startup brightness, if the startup brightness is higher than the brightness before turned off, the driver will first go to the startup brightness after turned on then drop down to the level before turned off. If the startup brightness is lower than the brightness before turned off, the driver will directly go to the brightness before turned off.

#### Delete Startup Brightness

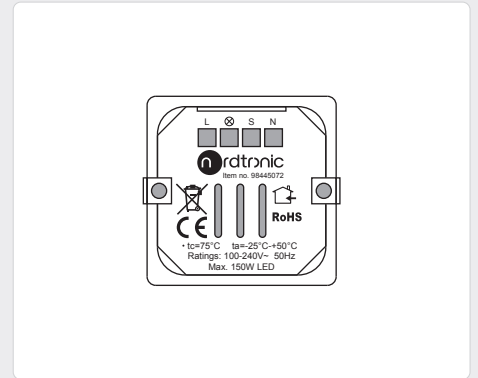
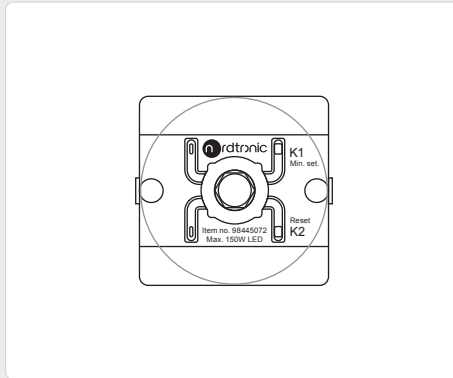
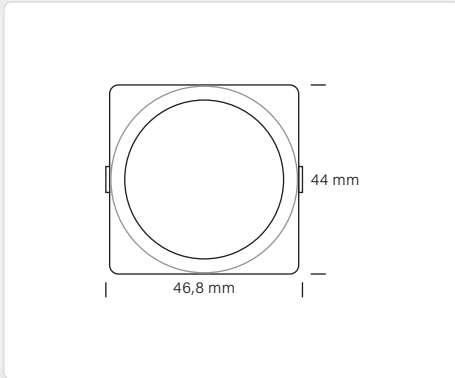


**Step 1:** Adjust the brightness of connected load to 0%.



**Step 2:** Double click *K1 / Min. set* to delete the previously set startup brightness





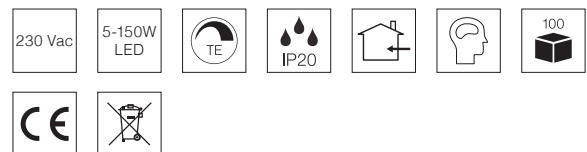
## 5. Controlled by a push switch

Once connected with a push switch, click the push switch to switch ON/OFF, press and hold down it to increase/decrease light intensity between 1% to 100%.

### Compatible load types and recommended values of power for supported loads

Supported load types	230VAC
<b>Resistive loads</b> Conventional incandescent and halogen light sources	20-150W @ 230V
<b>Capacitive loads</b> Fluorescent tube lamp (compact / with electronic ballast), electronic transformer, LED	5-150W @ 230V
<b>Inductive loads</b> Ferromagnetic transformers	20-150W @ 230V

This phase dimmer adopts trailing edge dimming (reverse phase control). Please make sure the connected loads support the control type you choose. Please refer to the user manual of the load or consult the supplier of the load.



Find the updated manual on our website – [nordtronic.com](http://nordtronic.com)  
 With reservation for typing errors