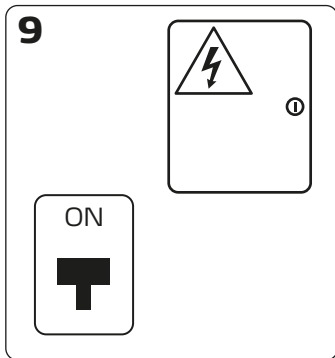
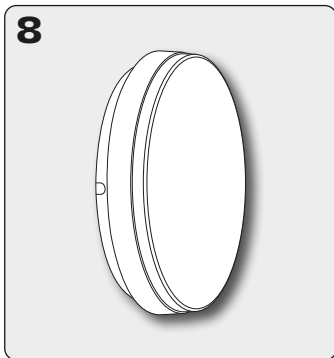
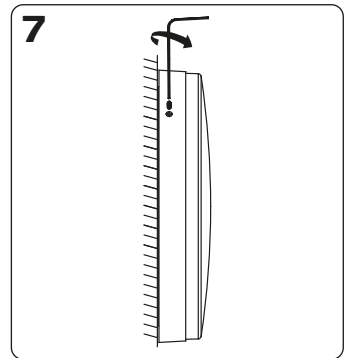
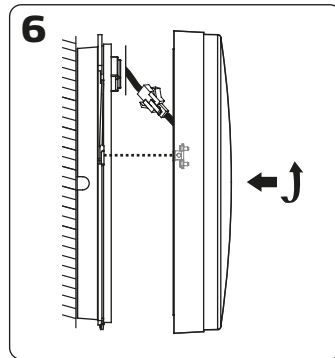
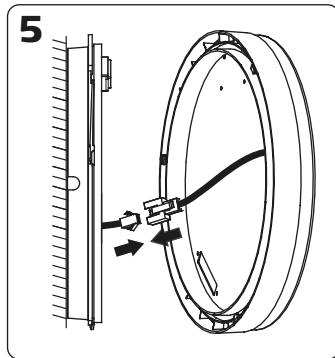
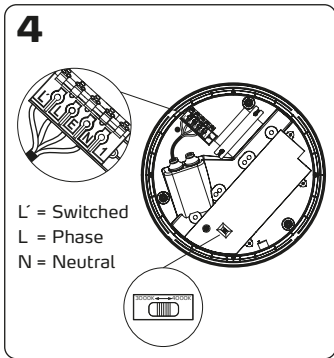
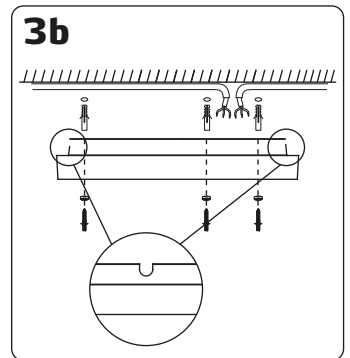
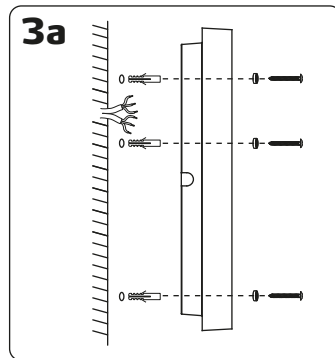
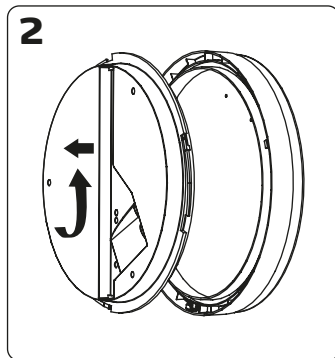
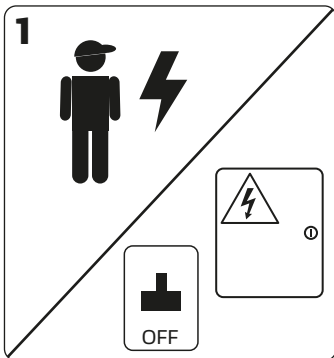
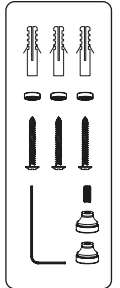
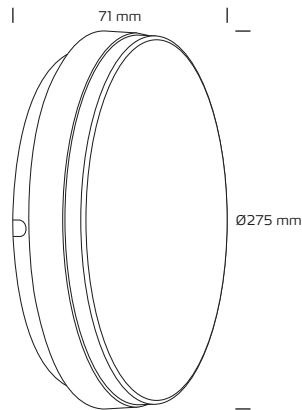


Adriano Emergency



220-240 VAC	18W	3000K / 4000K	1550 / 1650 Lumen	CRI>90	50000				120°
	IP54	IK08							
12	96	CE	RoHS						

Adriano Emergency

Instructions for automatic test option

1. Once the unit is powered up it will automatically initiate a self test and diagnostics as follows

- Every 4 seconds: Check for battery disconnection, charger board fault, lamp failure and transformer failure.
- Every month: Perform a 3 minute duration test.
- Every year: Perform a 1 hour or 3 hours duration test.
- All test functions are factory preset and do not need field adjustment.

2. Dual Colour Indicator LED Status Meanings

- Green Solid On Ready / Normal Operation
- Red Requires Service

•	One flash, 4 second pause	Battery not connected
••	Two flashes, 4 second pause	Low battery voltage
•••	Three flashes, 4 second pause	Charger board fault
••••	Four flashes, 4 second pause	Transformer fault
•••••	Five flashes, 4 second pause	LED lamp fault

NOTE: After repairing a service fault, press and hold the test button for 2 seconds to reset the flashing indicator light to green.

3. Manual Test

Press test button once	30 second duration test
Press test button twice within 2 seconds	3 minute duration test
Press test button 3 times within 2 seconds	30 minutes duration test
Press test button 4 times within 2 seconds	1 or 3 hours duration test

Wiring diagram

